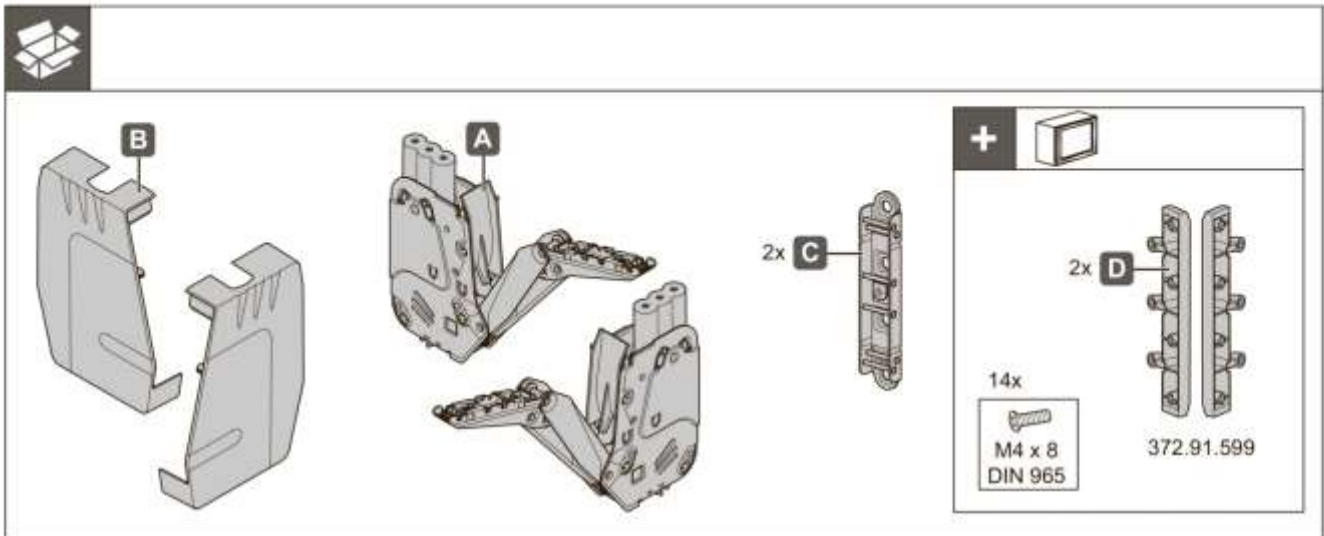




Free Flap 3.15

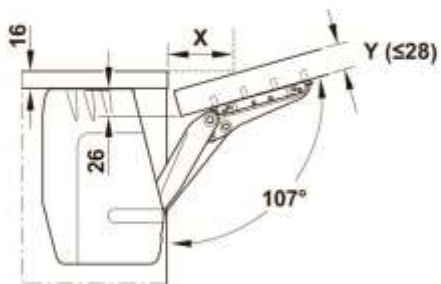
372.91.xxx



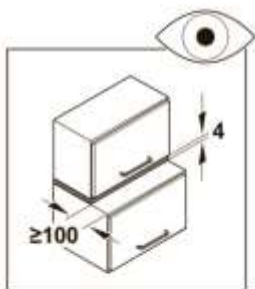
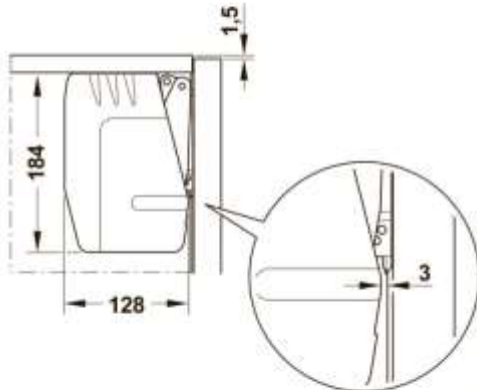
						 100%								
								400	D	4,7 - 9,6	372.91.730	372.91.330	372.91.710	372.91.310
									E	5,9 - 12,4	372.91.731	372.91.331	372.91.711	372.91.311
									F	8,9 - 18,6	372.91.732	372.91.332	372.91.712	372.91.312
								450	G	11,8 - 23,3	372.91.733	372.91.333	372.91.713	372.91.313
									D	4,1 - 8,4	372.91.730	372.91.330	372.91.710	372.91.310
									E	5,2 - 10,9	372.91.731	372.91.331	372.91.711	372.91.311
								500	F	7,8 - 16,3	372.91.732	372.91.332	372.91.712	372.91.312
									G	10,4 - 20,5	372.91.733	372.91.333	372.91.713	372.91.313
									D	3,7 - 7,5	372.91.730	372.91.330	372.91.710	372.91.310
								550	E	4,7 - 9,7	372.91.731	372.91.331	372.91.711	372.91.311
									F	7,0 - 14,6	372.91.732	372.91.332	372.91.712	372.91.312
G	9,2 - 18,3	372.91.733	372.91.333	372.91.713	372.91.313									
600	D	3,3 - 6,8	372.91.730	372.91.330	372.91.710	372.91.310								
	E	4,2 - 8,8	372.91.731	372.91.331	372.91.711	372.91.311								
	F	6,3 - 13,2	372.91.732	372.91.332	372.91.712	372.91.312								
	G	8,3 - 16,5	372.91.733	372.91.333	372.91.713	372.91.313								
							D	3,0 - 6,2	372.91.730	372.91.330	372.91.710	372.91.310		
							E	3,8 - 8,0	372.91.731	372.91.331	372.91.711	372.91.311		
							F	5,7 - 12,0	372.91.732	372.91.332	372.91.712	372.91.312		
							G	7,6 - 15,0	372.91.733	372.91.333	372.91.713	372.91.313		

i

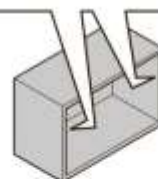
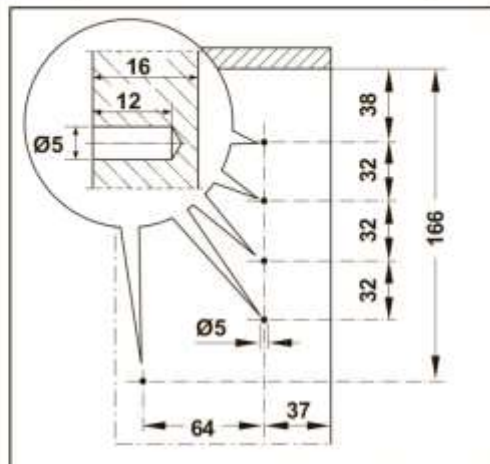
.mm



Y	X
16	83
19	74
22	64
26	52
28	46

**1**

.mm

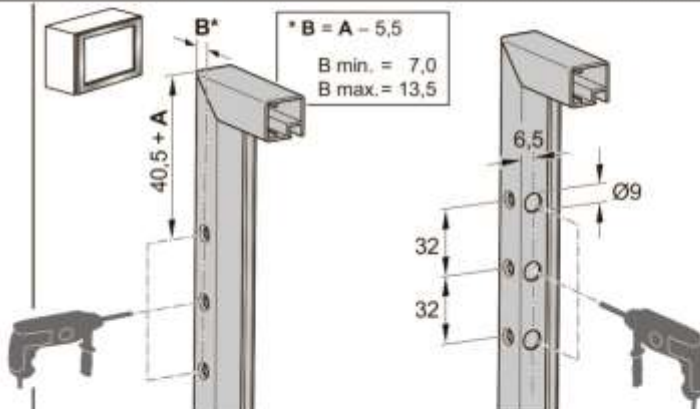
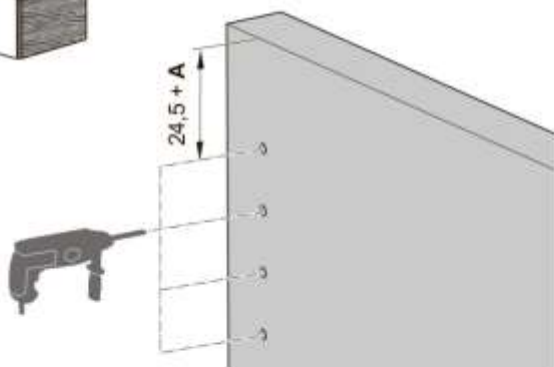
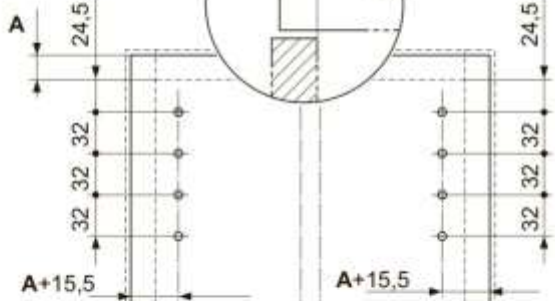
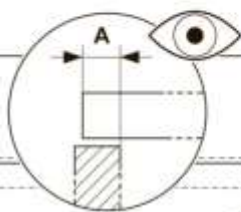
**2**

5 mm

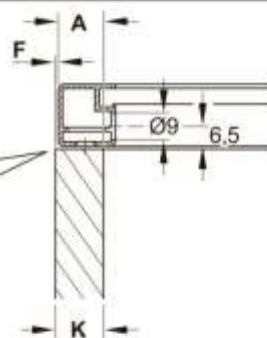
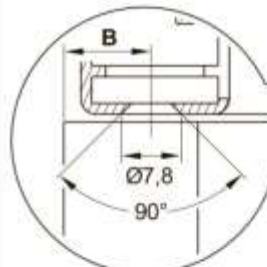


9 mm

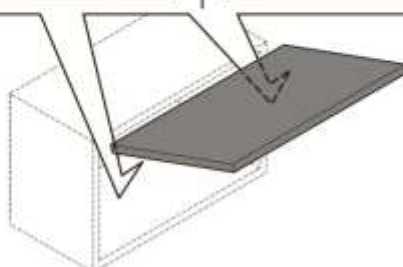
.mm

**i****i**

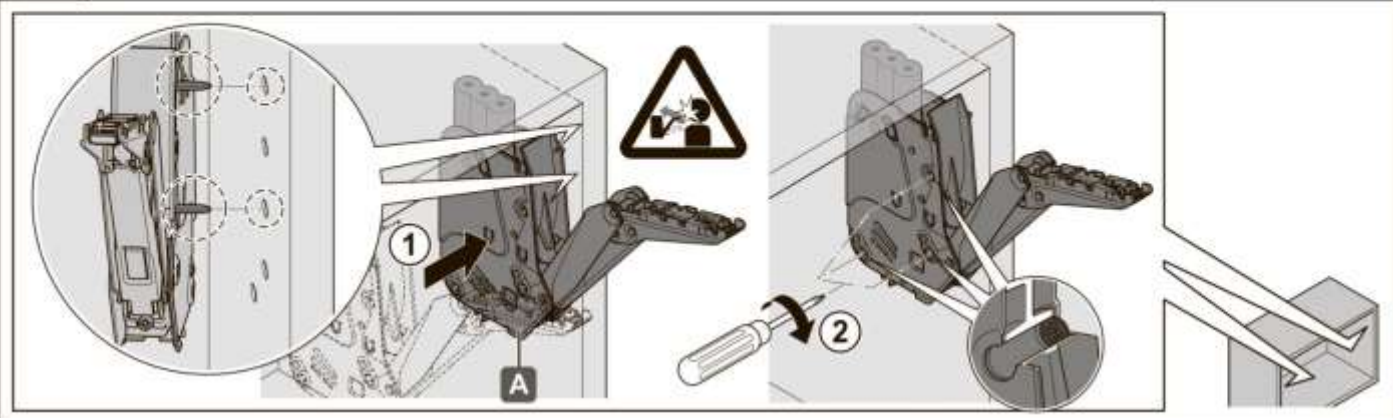
A = K - F



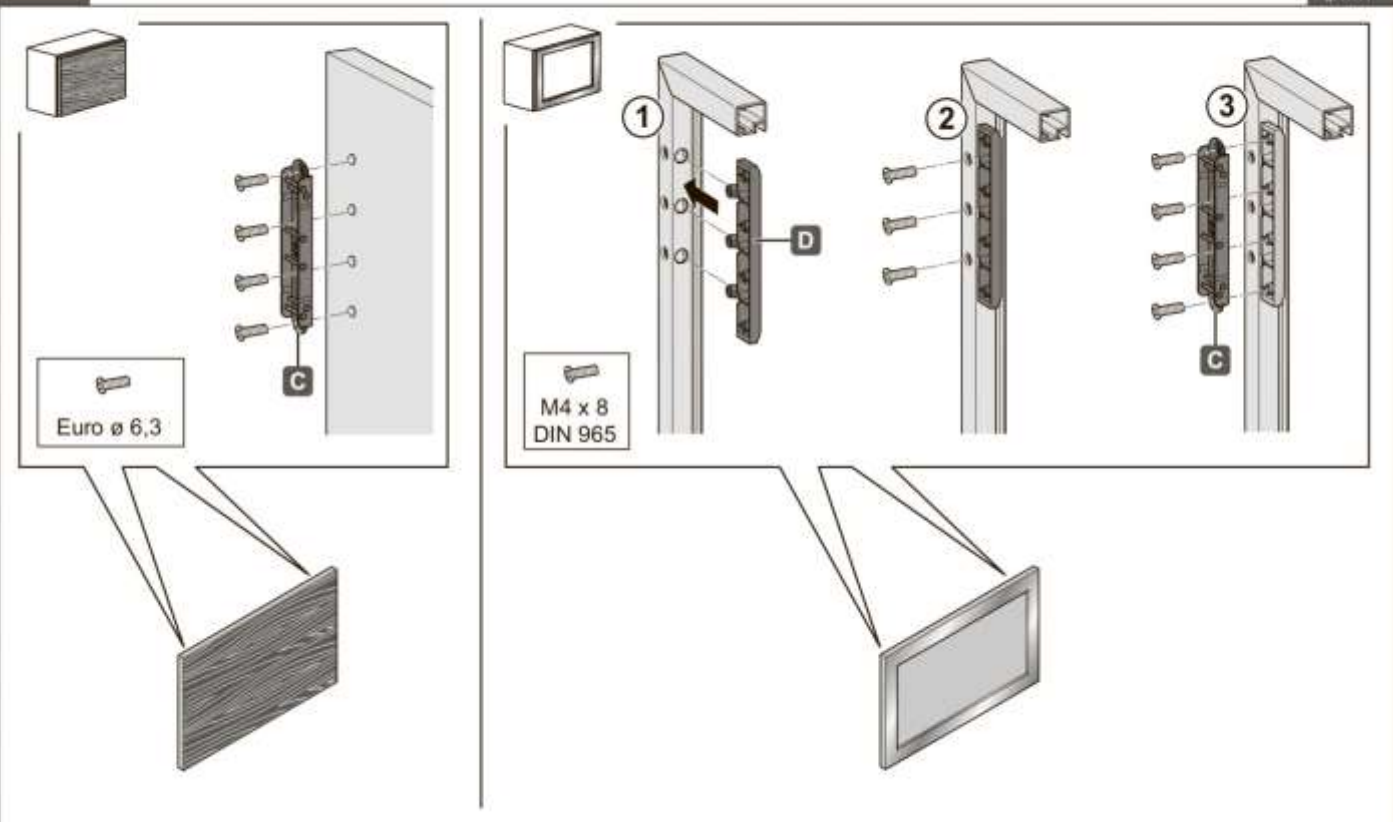
Euro ø 6,3



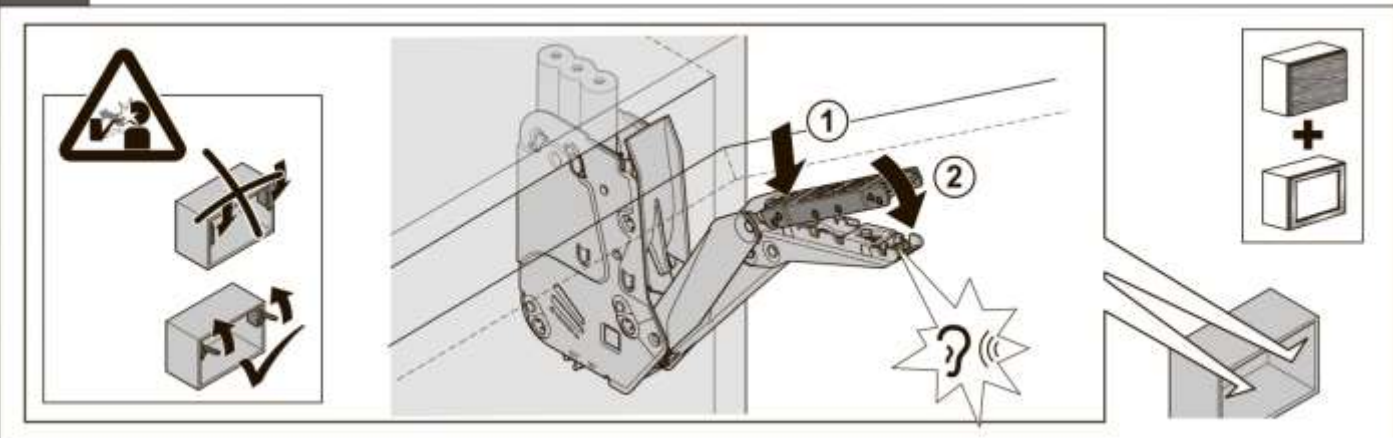
3



4



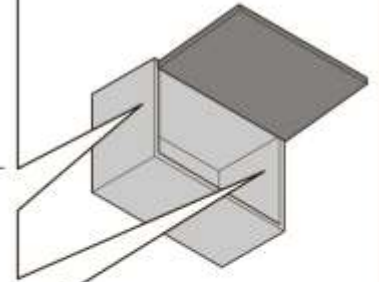
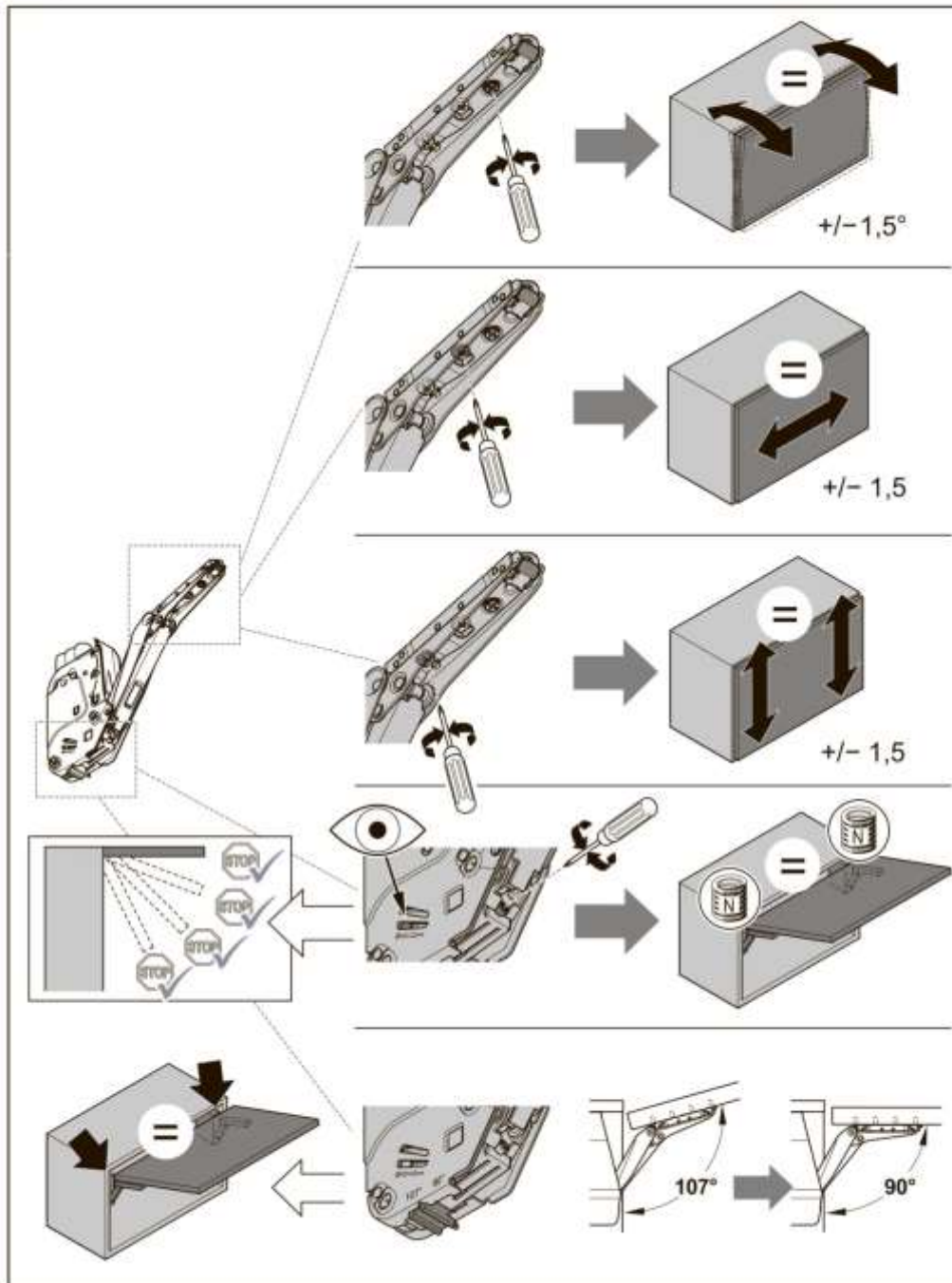
5



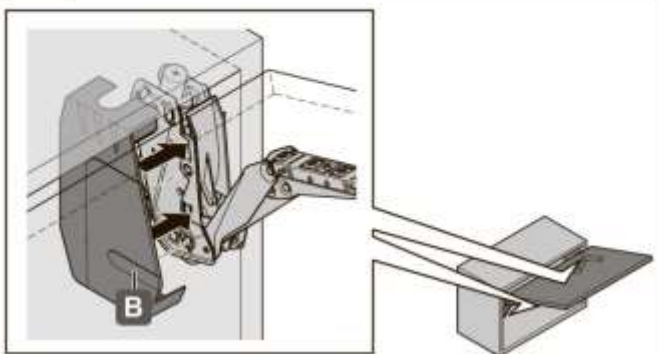
6



PZ 2



7



i

